

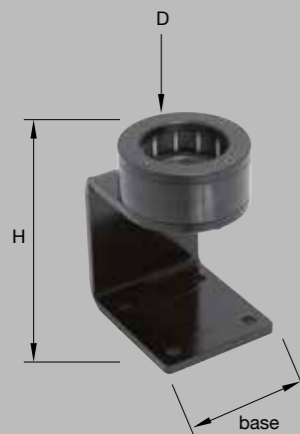
**CARATTERISTICHE DEI SUPPORTI DI MONTAGGIO**  
**FEATURES OF INDEXABLE SUPPORT**  
**CARACTERISTIQUES TECHNIQUES DES DEMONTE CONE**  
**MERKMALE DER MONTAGEHALTERUNGEN**

**SUPPORTO DI MONTAGGIO A RULLI**  
 Una speciale gabbia a rullini bidirezionale blocca il portautensile sulla flangia per consentire il montaggio e lo smontaggio degli utensili e degli accessori sul corpo mandrino. È garantita la massima protezione (per mancanza di contatto) del cono mandrino.

**SUPPORT DE MONTAGE A ROULEAUX**  
 Une cage spéciale à rouleaux bidirectionnelle bloque le porte-outil sur la flange pour permettre le montage et le démontage des outils et des accessoires sur le bloc mandrin. Il est garanti la protection maximale (pour éviter le contact) du cône mandrin.

**CLAMPING DEVICE WITH ROLLING BEARING**  
 A special bidirectional roller bearing locks the toolholder on the flange to allow the assembly and the disassembly of tools and accessories from the toolholder. It's guarantee the maximum protection of the toolholder cone (because the contact surface of the toolholder is only the flange)

**MONTAGEHALTER AUF ROLLEN**  
 Ein spezieller Rollenkäfig, zweiseitig gerichtet, blockiert den Werkzeughalter auf die Flansche. Er ermöglicht die Montage und die Abmontage der Werkzeuge und der Zubehöre auf dem Spannfutterkörper. Da kein kontakt besteht, hat man einen max. Schutz des Spannfutterkonus.



**BREVETTATO  
 PATENT**

**MONTAGGIO A RULLI - CLAMPING DEVICE WITH ROLLING BEARING**

Cod.	TYPE	D	BASE	H	ADATTO PER / SUITABLE FOR
PV00148	SMONTACONO A RULLI HSK25 Clamping device with roller bearing HSK 25	25	100	130	HSK25
PV00149	SMONTACONO A RULLI HSK32 Clamping device with roller bearing HSK 32	32	100	130	HSK32 - CAPTO C4
PV00071	SMONTACONO A RULLI HSK40 DIAM.40 Clamping device with roller bearing HSK 40	40	100	160	HSK40 - CAPTO C4
PV00106	SMONTACONO RULLI UNIV.90° SK30 FL. 46 Clamping device with roller bearing ISO30 FL. 46	46	100	160	BT30 MAS403 - TCL30 FL46
PV00103	SMONTACONO RULLI UNIV.90° SK30 FL 49 Clamping device with roller bearing SK30 FLANGE 49	49	100	160	TCL30 FL49
PV00083	SMONTACONO RULLI UNIV. 90 SK30 Clamping device with roller bearing SK30 FL. 50	50	100	160	ISO30 DIN2080 - SK30 DIN 69871 - HSK50 CAPTO C5
PV00107	SMONTACONO RULLI UNIV. 90° BT35 FL. 53 Clamping device with roller bearing BT35 FL. 53	53	100	160	DIN 69871 FL. 53
PV00099	SMONTACONO RULLI UNIV.90° SK30 Clamping device with roller bearing SK30 FL.58	58	100	160	TCL30 FL58
PV00077	SMONTACONO RULLI UNIV. 90 SK40 Clamping device with roller bearing SK40 FL. 63	63	100	160	BT40 - HSK63 - ISO40 DIN 2080 - SK40 DIN 69871 CAPTO C6
PV00150	SMONTACONO A RULLI HSK80 Clamping device with roller bearing HSK 80	80	150	240	HSK40 - CAPTO C8
PV00108	SMONTACONO RULLI UNIV. 90° HSK63WE FL. 85 Clamping device with roller bearing HSK63WE FL. 85	85	150	230	HSK85
PV00078	SMONTACONO RULLI UNIV. 90° SK50 Clamping device with roller bearing SK50 FL. 100	100	150	220	BT50 - ISO50 DIN2080 - SK50 DIN 69871 - HSK100 - CAPTO C10